

ENTRANCE DYNAMICS EDSW250-S SWING DOOR OPERATOR



Silent force

The EDSW250-S is a silent, direct driven, electro mechanical swing door operator. This power-house is the ideal all-rounder. Applicable as low-energy, as well as for heavy doors (up to 250 kg), and in situations with heavy wind loads. The spring power is adjustable from EN4 up to EN6, which makes this swing door operator suitable for any type of swing door.

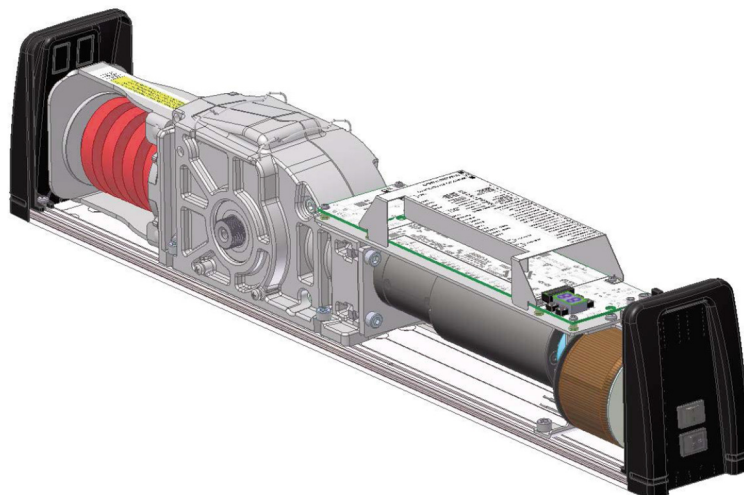
Access control systems and electric locks can be connected to the EDSW250-S without any problem. In case of power drop, the EDSW250-S will act as a door closer. Obviously the EDSW250-S meets all current safety requirements and standards, and can be equipped with monitored safety sensors.

Clever simplicity

The EDSW250-S has a sleek and pleasant appearance. The operator can be supplied as pull or as push version, and is standard equipped with an aluminium cover.

With its intelligent control unit, the EDSW250-S automatically adjusts itself when requiring additional force to open or close due to wind pressure, or positive or negative pressure in a building.

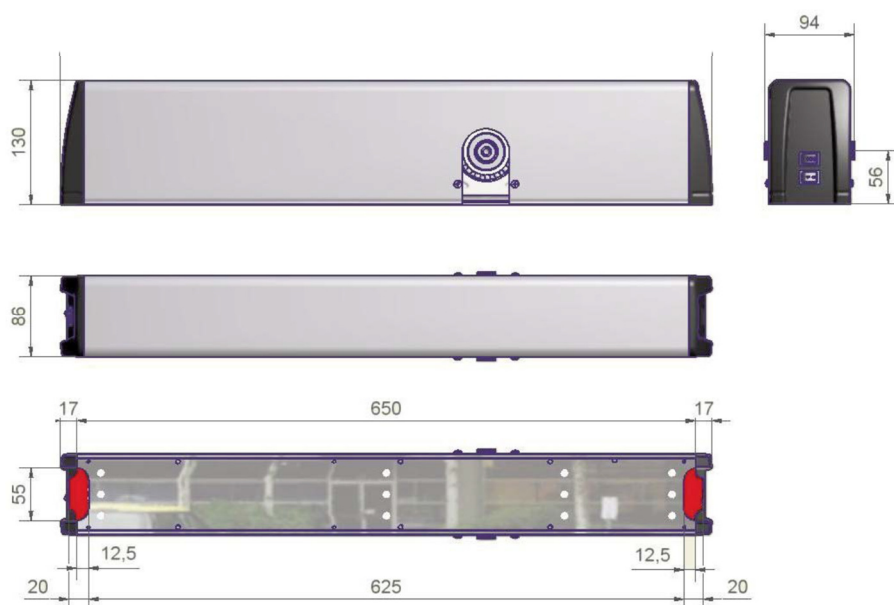
Installation of the EDSW250-S is simple, and programming is done with the built-in LCD display and programming buttons.



Technical specifications

p

Power supply	230V AC 50Hz
Nominal power	85 W
External device power	12V DC – 12W max
Electric lock power	12V and 24V DC – 15W max
Max opening angle	110°
Opening time	3 to 6 seconds
Closing time	4 to 15 seconds
Max opening speed	70° per second
Closing speed	40° per second
Door width	700 – 1400 mm
Operating temperature	-10°C to +50°C (inside operator)
Anti-crushing	Automatic force limitation in presence of obstacles
Weight	Approx.11Kg
Service	Continuous / intensive



Entrance Dynamics BV
 De Smalle Zijde 35b
 3909 LM Veenendaal
 The Netherlands

 +31 85 773 1405
 info@entrancedynamics.com
 www.entrancedynamics.com